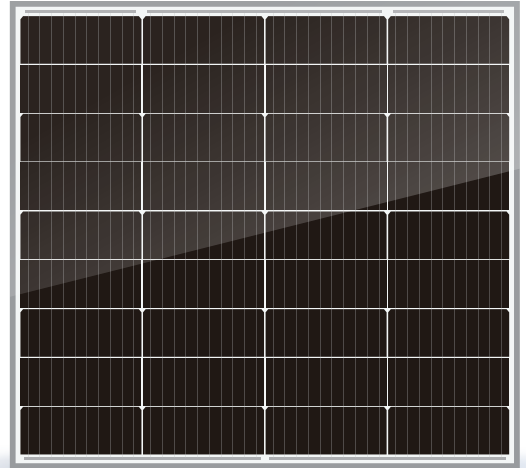


Monocrystalline PV Module HO5-100M

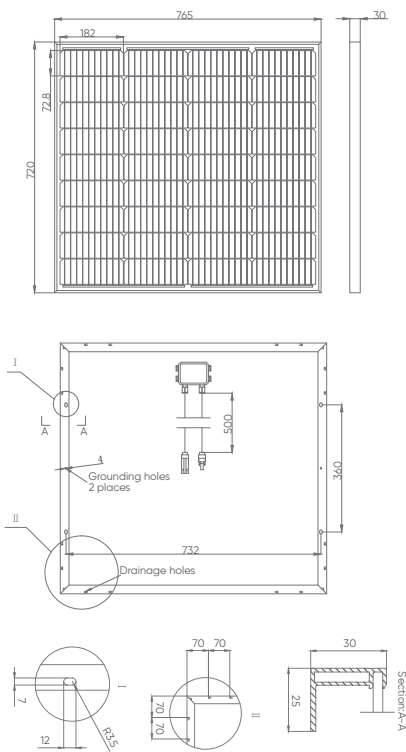
100 Watt

10 10-year Material and Workmanship Warranty

25 25-year Linear Power Performance Warranty



Engineering Drawing (MM)



Electrical Characteristics (STC)

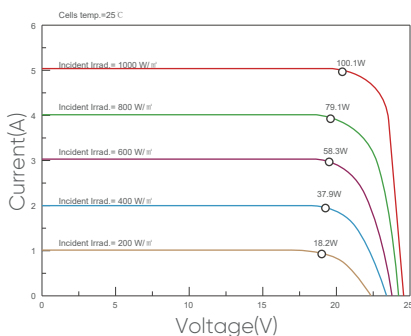
Maximum Power- Pmax(W)	100
Open Circuit Voltage - Voc(V)	24.47
Short- Circuit Current - Isc(A)	5.02
Voltage at Pmax -Vmp(V)	21.03
Current at Pmax - Imp(A)	4.76
Module Efficiency - η m(%)	18.16
Power Tolerance(W)	0, +4.99W
Maximum System Voltage(V)	700Vdc (IEC / UL)
Maximum Series Fuse Rating (A)	10A

* STC : Irradiance 1000W/m², Cell Temperature 25°C, AM 1.5

Mechanical Specifications

External Dimensions	720*765*30mm
Weight	5.83kg
Solar Cells	Mono crystalline 182X72.8mm (4X9pcs)
Front Glass	3.2 mm tempered glass
Frame	Aluminum
Junction Box	IP67
Output Cables	50cm, length can be customized
Connector	MC4 Compatible
Mechanical Load	Front Side Max. 5400Pa, Rear Side Max. 2400Pa

Current-Voltage Curve



Temperature Characteristics

Pmax Temperature Coefficient	-0.350%/°C
Voc Temperature Coefficient	-0.270%/°C
Isc Temperature Coefficient	+0.048%/°C
Operating Temperature	-40~+85°C
Nominal Operating Cell Temperature(NOCT)	45±2°C

Packing Configuration

Module Type	HO5-100M
Module Dimensions	720*765*30mm
Pallet Dimensions	770*1100*885mm
Pallet Weight	240kg
Pieces/Pallet	36pcs



No.13 LeRong RD. High-Tech Zone, Chengyang District,
Qingdao, Shandong, China 266000
<https://www.hinergylink.com> Email: info@hinergylink.com

Specifications included in this datasheet are subject to change without notice. HINERGY reserves the right of final interpretation.